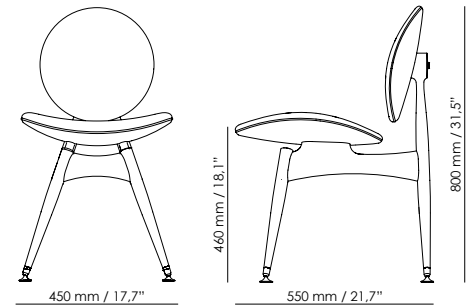


CIRCLE DINING CHAIR Without Armrest | CIRCLE COLLECTION

OD210

Design: Christian Dyrman, Jasper Overgaard
Year: 2019
Manufacture: Overgaard & Dyrman ApS
Origin: Made in Denmark

About: The Circle Dining Chair is available with or without arms. It comes fully upholstered in a broad selection of fabrics and leather. The base is in solid wood and fittings are either of brass, aged brass or stainless steel.



AVAILABLE MATERIALS

Wooden Frame: Walnut | Black Stained Ash | White Oiled Ash | Oak | Smoked Oak
Fittings: Brass | Aged Brass | Stainless Steel
Fabric: Maralinga, Okinawa, Gio, Balgo, Coco, Vienna Velvet, Fiord, Rime, Jaali | COM
Leather: Natural | Elegance | Matstone | Yellowstone | COL

COM/COL Material requirements are stated as necessary minimum quantity and are dependent on type, quality and number of chairs.
Fabric/leather use 1,10m x 1,10m, for a fully upholstered chair in COM/COL, if the piping (welting) is in one of our standard materials. If the piping is in COM/COL, a minimum length of 1,40m is required.*
Please contact sales@OandD.dk for further information.

DATA	Length (mm / in)	Width (mm / in)	Height (mm / in)	Height Seat (mm / in)	Weight, net (kg / lbs)
OD210	450 / 17,7	550 / 21,7	800 / 31,5	460 / 18,1	6,0 / 13,2

PACKAGING SPECIFICATIONS	Length (mm / in)	Width (mm / in)	Height (mm / in)	Volume, gross (m ³ / (ft ³))	Weight, gross (kg / lbs)
OD210 cardboard box	500 / 19,7	610 / 24	840 / 33,1	0,26 / 9,2	9,0 / 19,8

ADDITIONAL ONLINE MATERIAL

[OandD.dk/downloads/](https://oandd.dk/downloads/)

About Circle Dining Chair | Imagebank | 2D & 3D Files

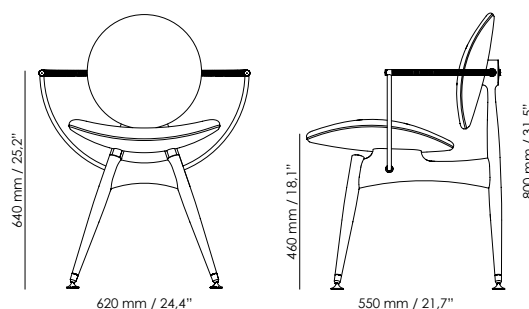
* Unless otherwise stated the piping will be made in the same fabric or leather as specified for the chair.

CIRCLE DINING CHAIR With Armrest | CIRCLE COLLECTION

OD211

Design: Christian Dyrman, Jasper Overgaard
 Year: 2019
 Manufacture: Overgaard & Dyrman ApS
 Origin: Made in Denmark

About: The Circle Dining Chair is available with or without arms. It comes fully upholstered in a broad selection of fabrics and leather. The armrest is wrapped in leather cord. The base is in solid wood and fittings are either brass, aged brass or stainless steel.



AVAILABLE MATERIALS

Wooden Frame: Walnut | Black Stained Ash | White Oiled Ash | Oak | Smoked Oak
 Fittings: Brass | Aged Brass | Stainless Steel
 Armrest Bow: Brass | Aged Brass | Stainless Steel | Matte Black Steel
 Armrest leather cord: Natural | Black | Dark Brown
 Fabric: Maralinga, Okinawa, Gio, Balgo, Coco, Vienna Velvet, Fiord, Rime, Jaali | COM
 Leather: Natural | Elegance | Matstone | Yellowstone | COL

COM/COL Material requirements are stated as necessary minimum quantity and are dependent on type, quality and number of chairs.
 Fabric/leather use 1,10m x 1,10m, for a fully upholstered chair in COM/COL, if the piping (welting) is in one of our standard materials.
 If the piping is in COM/COL, a minimum length of 1,40m is required.*
 Please contact sales@OandD.dk for further information.

DATA	Length (mm / in)	Width (mm / in)	Height (mm / in)	Height Seat (mm / in)	Weight, net (kg / lbs)
OD210	620 / 24,4	550 / 21,7	800 / 31,5	460 / 18,1	8,2 / 18,1

PACKAGING SPECIFICATIONS	Length (mm / in)	Width (mm / in)	Height (mm / in)	Volume, gross (m ³ / (ft ³))	Weight, gross (kg / lbs)
OD210 cardboard box	670 / 26,4	610 / 24	840 / 33,1	0,34 / 12	11,6 / 25,6

ADDITIONAL ONLINE MATERIAL

[OandD.dk/downloads/](https://oandd.dk/downloads/)

About Circle Dining Chair | Imagebank | 2D & 3D Files

* Unless otherwise stated the piping will be made in the same fabric or leather as specified for the chair.